



Protective Vents

POLYVENT XL/M32

Superior airflow for large housings

PRODUCT INFORMATION

Part number..... PMF100542 (includes counter nut)
 IP rating (IEC 529, 2nd)* IP66, IP67, IP69k
 Water entry pressure..... >0.3 bar (>4.3 psi) for 60 seconds
 Typical airflow..... 14000 ml/min @ 70 mbar (1 psi)

PRODUCT CHARACTERISTICS

Membrane type ePTFE
 Backing material..... Polyester (PET)
 Membrane characteristic Oleophobic
 Housing material ASA/PC Blend
 Color of housing Basalt gray
 Gasket..... PU-Foam (black), 46 Shore 00
 Counter nut..... M32x1.5, Wrench size 41
 Material of counter nut..... Polyamide (PA6)
 Color of counter nut Black

ENVIRONMENTAL PERFORMANCE

Temperature range..... -40°C to 85°C
 RoHS status EU Directive 2002/95/EC
 EU Directive 2003/11/EC

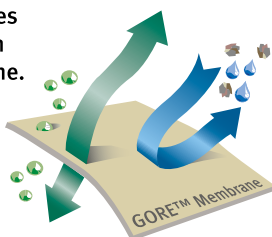


REALIZE THE BENEFITS OF GORE® PROTECTIVE VENTS:

- **Rapid equalization of pressure** to reduce stress on enclosure seals
- **Reliable hydrophobic and oleophobic action** to protect sensitive electronics from water, salts and other corrosive liquids
- **Superior airflow** for large housings
- **Flexible design** for easier installation and maintenance
- **Outstanding technical expertise** from Gore's engineering organization, currently supporting over 200 million installations worldwide

* IP ratings are product housing design dependent. Please contact a Gore representative for more information.

Gas molecules pass through the membrane.



Liquid and particles are repelled.

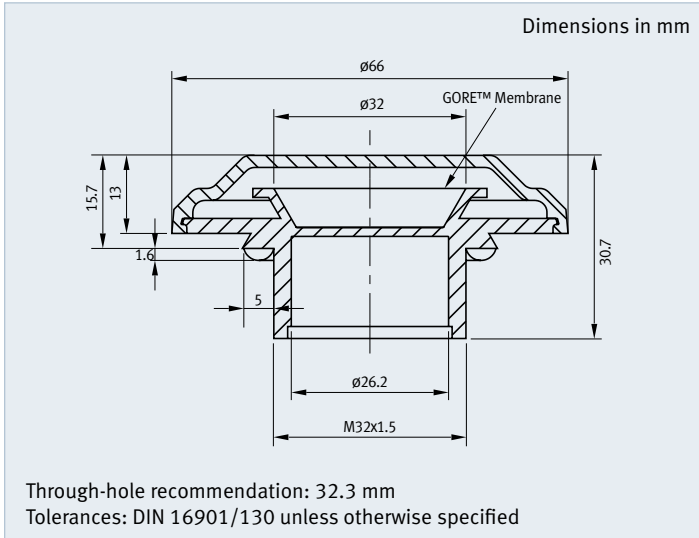
GORE® PROTECTIVE VENTS EQUALIZE PRESSURE WHILE PROTECTING SENSITIVE ELECTRONICS



Protective Vents

POLYVENTXL/M32

DESIGN AND DIMENSIONS



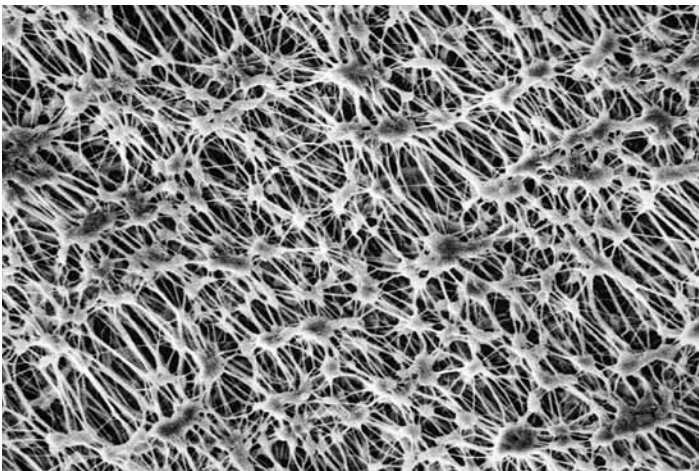
ROHS INFORMATION

W. L. Gore & Associates declares that the products listed above are below the thresholds as established in EU Commission Decision 2005/618/EC amending EU Directive 2002/95/EC (ROHS) and Directive 2003/11 EC for these substances:

- Lead
- Mercury
- Cadmium
- Hexavalent chromium
- Polybrominated Biphenyls (PBB)
- Polybrominated Diphenyl Ethers (PBDE) including:
 - Pentabromodiphenylether (PentaBDE)
 - Octabromodiphenylether (OctaBDE)
 - Decabromodiphenylether (DecaBDE)

This statement is based on the best of our knowledge as of this date of issue and W. L. Gore & Associates makes no warranties, express or implied, and assumes no liability in connection with the use of this information.

MEMBRANE STRUCTURE



THE SCIENCE BEHIND THE SOLUTION

GORE® Protective Vents incorporate a membrane of expanded polytetrafluoroethylene (ePTFE). Its microporous structure allows for the free passage of gases and vapors while at the same time preventing water, dust and salt crystals from entering the enclosure. GORE® Protective Vents can be designed with a variety of specific properties for maximum performance in any venting application.

The ePTFE GORE™ Membrane is:

- chemically inert
- non-shedding
- UV-resistant
- temperature-resistant

CONTACT US

Australia	61.2.9473.6800	Mexico	52.81.8288.1281
Benelux	49.89.4612.2211	Scandinavia	46.31.706.7800
China	86.21.5172.8299	Singapore	65.6733.2882
France	33.1.5695.6565	South America	55.11.5502.7800
Germany	49.89.4612.2211	Spain	34.93.480.6900
India	91.22.6768.7000	Taiwan	886.2.8771.7799
Italy	39.045.6209.240	United Kingdom	44.1506.460123
Japan	81.3.3327.0011	USA	1.410.392.4440
Korea	82.2.393.3411		

FOR INDUSTRIAL USE ONLY. Not for use in food, drug, cosmetic or medical device manufacturing, processing, or packaging operations.

All technical information and advice given here is based on Gore's previous experiences and/or test results. Gore gives this information to the best of its knowledge, but assumes no legal responsibility. Customers are asked to check the suitability and usability in the specific application, since the performance of the product can only be judged when all necessary operating data are available. The above information is subject to change and is not to be used for specification purposes.

Gore's terms and conditions of sale apply to the sale of the products by Gore.

© GORE and designs are trademarks of W. L. Gore & Associates
© 2011 W. L. Gore & Associates, Inc.

W. L. Gore & Associates, Inc.

401 Airport Road • Elkton, MD 21921 USA
Phone: 410.392.4440 • Toll-Free: 1.800.455.4684
Fax: 410.506.8749
Email: protectivevents@wlgore.com

gore.com/protectivevents

